

TRAFFIC MIRROR FOR PRIVATE ROADS

FOR CONTROL AND MONITORING IN INDUSTRIAL ENVIRONMENTS

APPLICATIONS

For control, surveillance and security on private roads in the industry.

Dangerous intersections in industry, parking lot exits, factory road intersections and machinery traffic control

Secure intersections



MIRROR

FRAME

10 mm thick white expanded rigid PVC.
Red grid printed by digital technology with UV inks.

Frame dimensions: 788 x 988 mm

REFLECTOR

POLISHED STAINLESS STEEL Anti-vandalism, very resistant, special coast and high mountains
10 years warranty

Reflector dimensions: 600 x 800 mm

Maximum distance from the observer to the mirror: 15 meters

PACKAGING

Packaging dimensions: L. 940 x D. 200 x H. 760 mm

Net weight (mirror only): 15kg

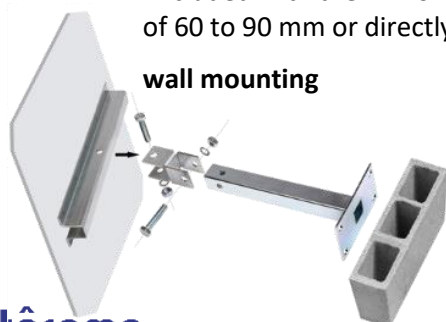
Gross weight (with packaging): 20 kg

Garantie **10** ANS INOX POLI

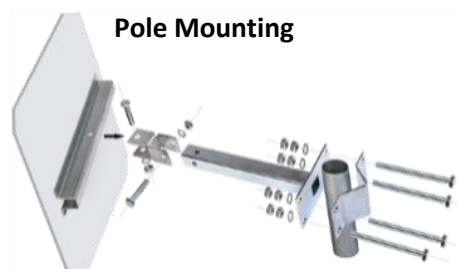
FIXATION

FIXATION

Included with the mirror. It can be mounted on any pole with a cross section of 60 to 90 mm or directly on the wall.



wall mounting



Pole Mounting